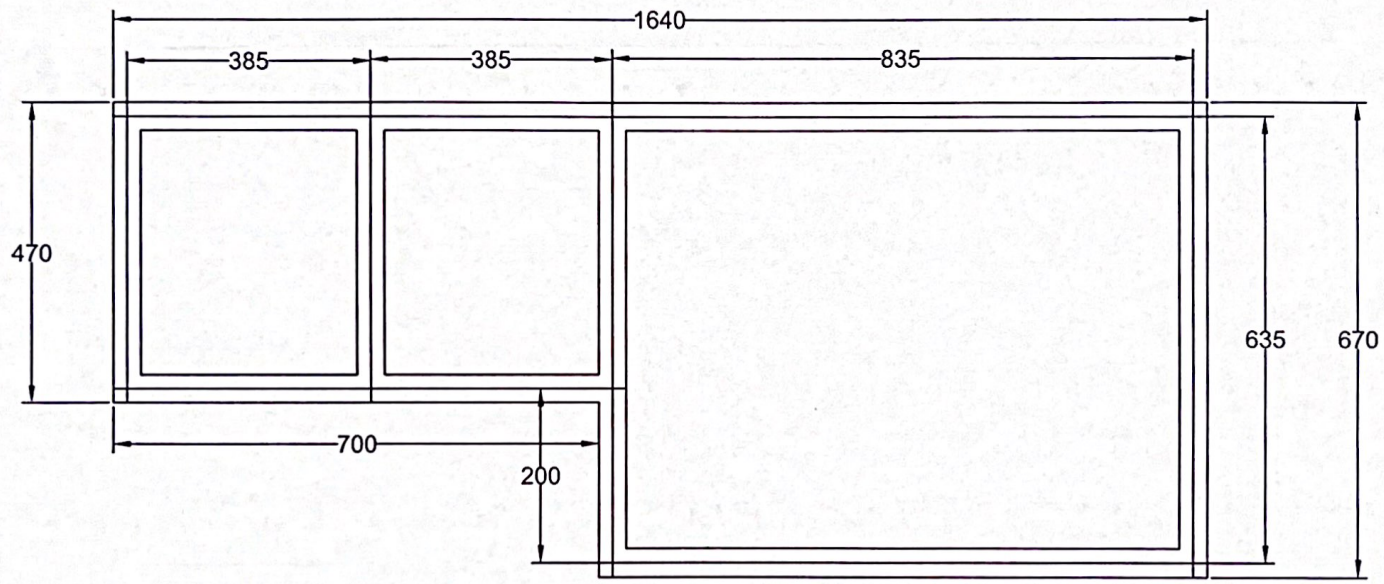


14.10.2003 youth center.dwg



General Notes

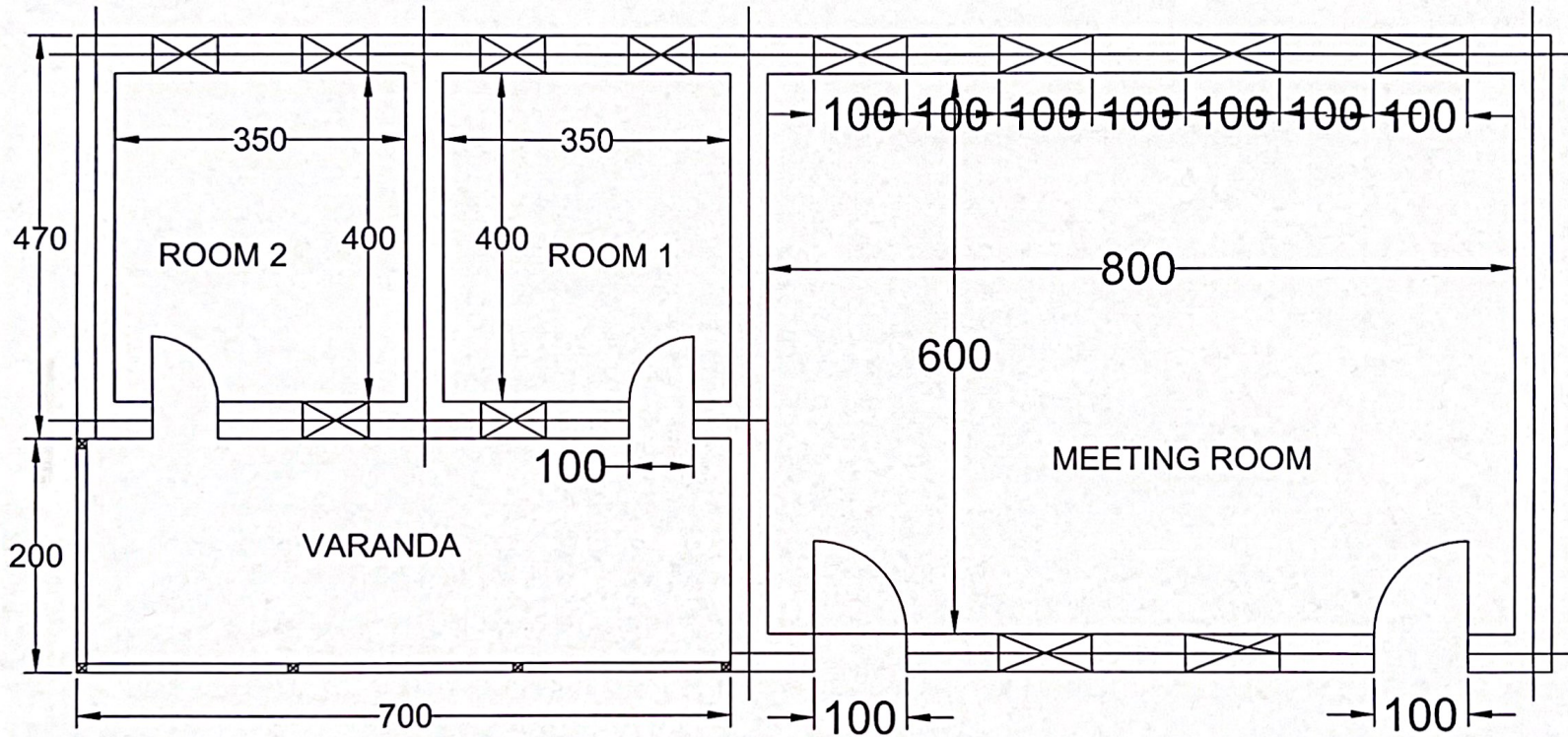
No.	Revision/Remark	Date

File Name and Address

Project Name and Address
CRS - Zalingei office
WFP - FFA Project
Community center
FOUNDATION PLAN

Project	Sheet
FFA & FLA	1-8
2021-2022	
Scale	1:1

14.10.2003 youth_center.dwg



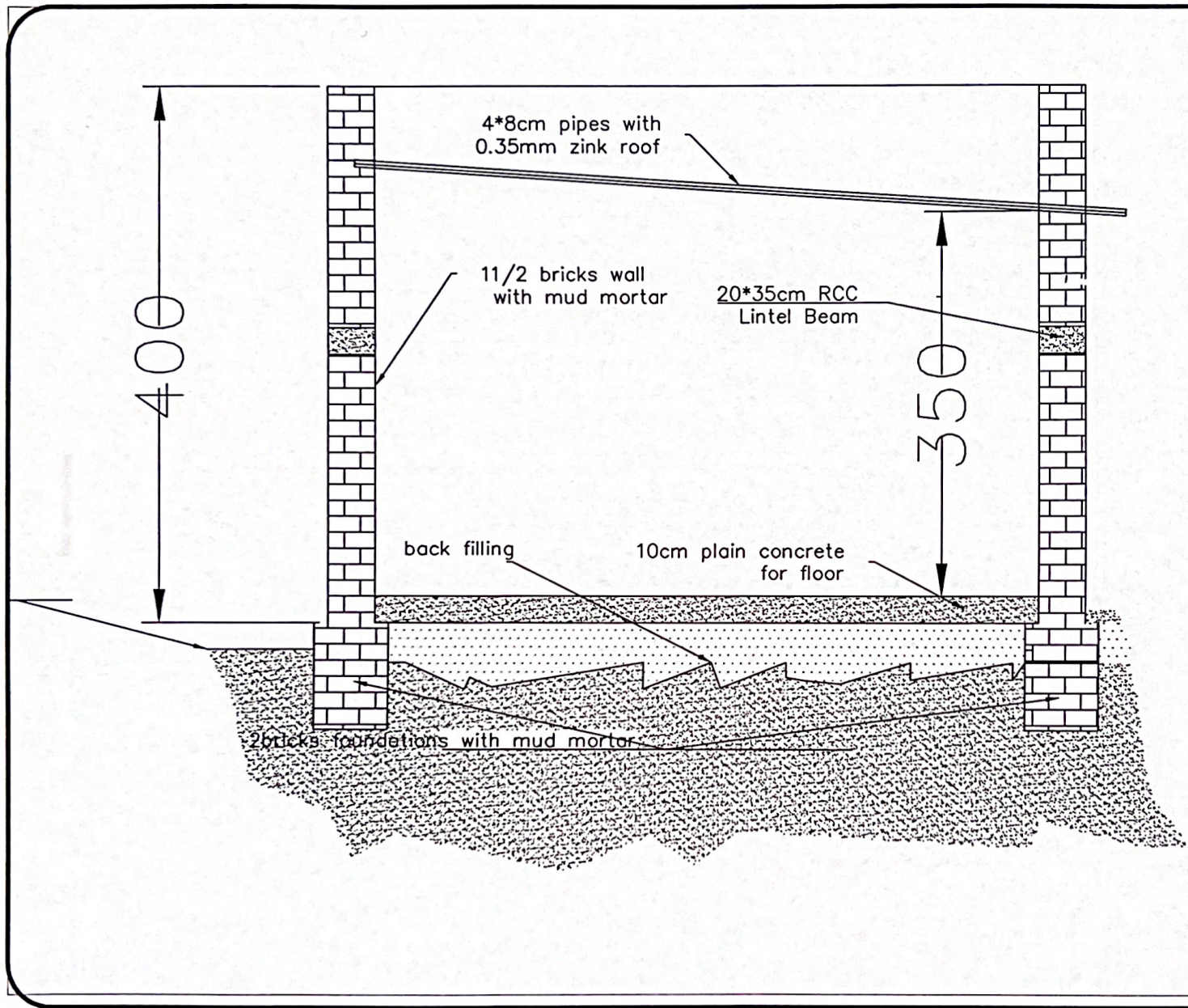
General Notes

No.	Revision/Status	Date

Plan Name and Address

Project Name and Address
CRS- Zalingei office
WFP- FFA Project
Community center
DOOR & WINDOW PLAN

Project Name	FFA & FLA	Sheet	2-8
Date	2021-2022	Scale	1:1



General Notes

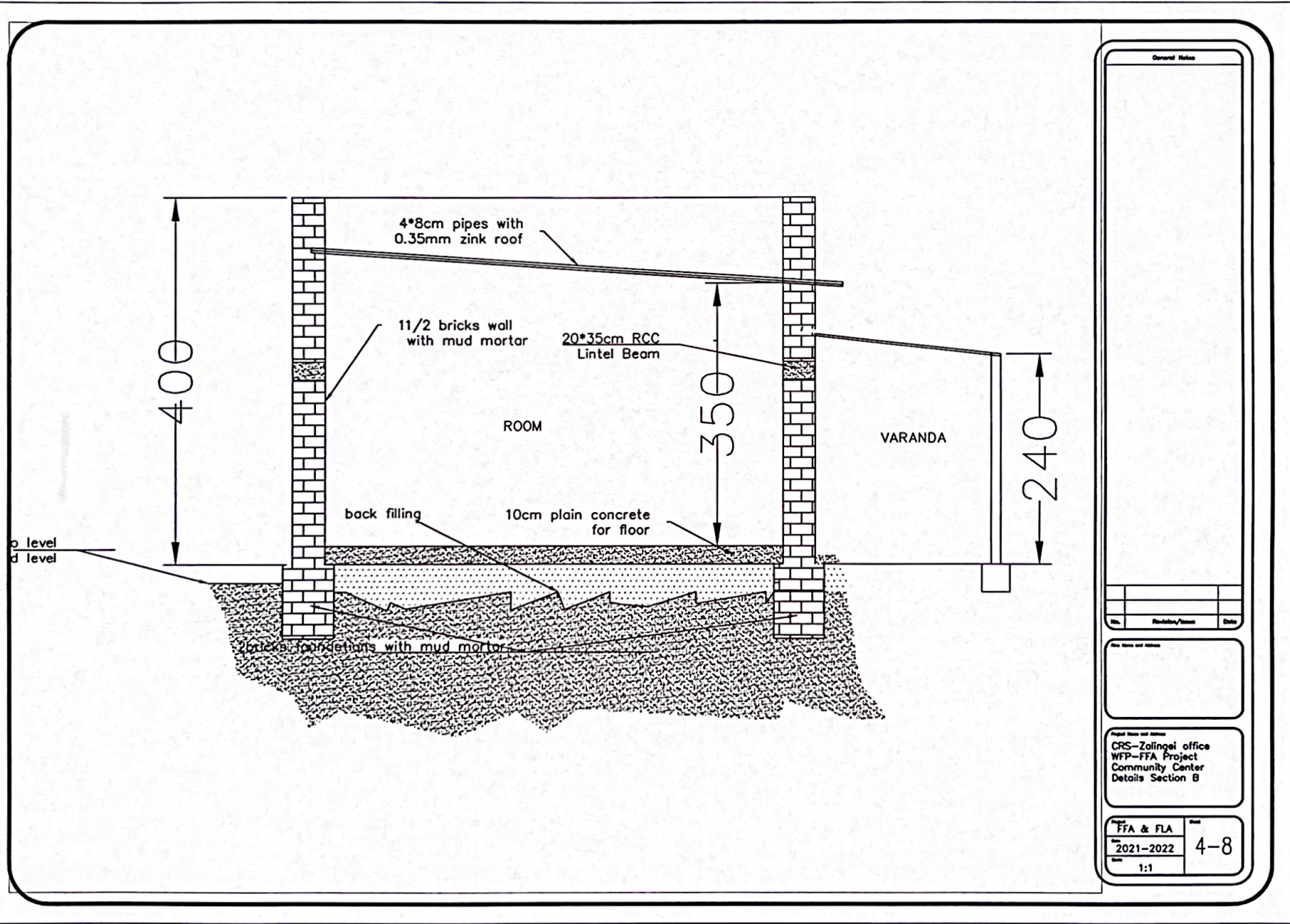
No.	Particulars/Notes	Date

File Name and Address

Project Name and Address

CRS-Zalingei office
WFP-FFA Project
Community Center
Details Section A

FFA & FLA	Sheet
2021-2022	3-8
Scale	1:1



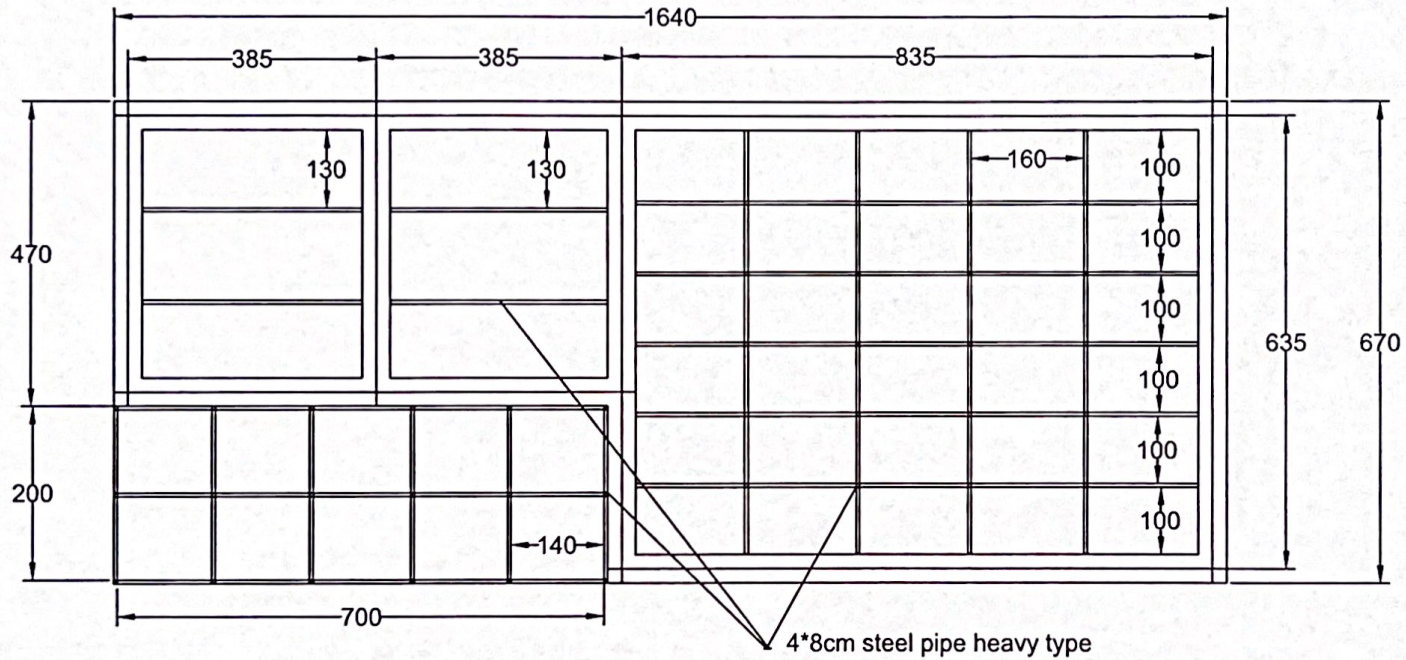
General Notes

No.	Description/Notes	Date

Any notes and details

Project Name and address
CRS - Zalingei office
WFP - FFA Project
Community Center
Details Section B

Drawn by	Scale
FFA & FLA	1:1
2021-2022	4-8



General Notes

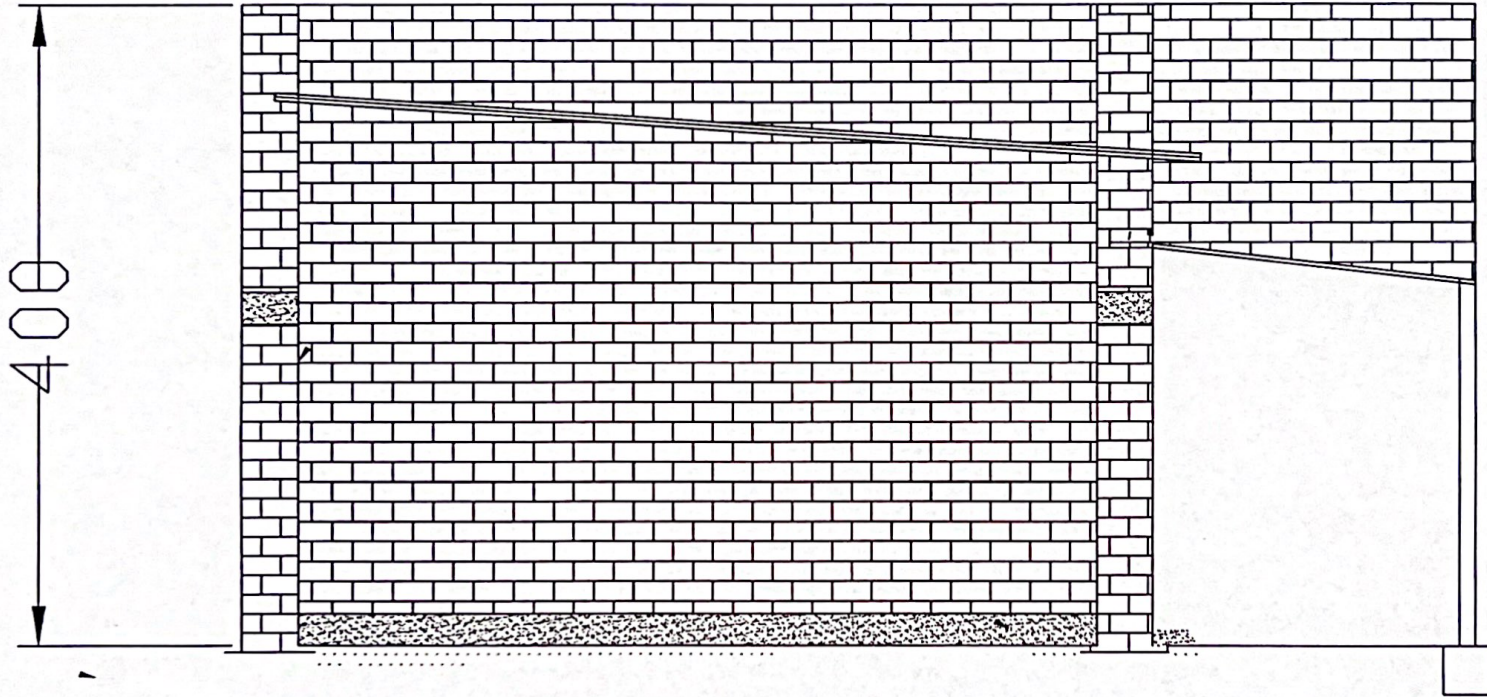
No.	Revision/Remark	Date

Site Name and Address

Project Name and Address

CRS - Zolingei office
WFP - FFA Project
Community center
ROOF PLAN

Project	Sheet
FFA & FLA	5-8
2021-2022	
Scale	1:1



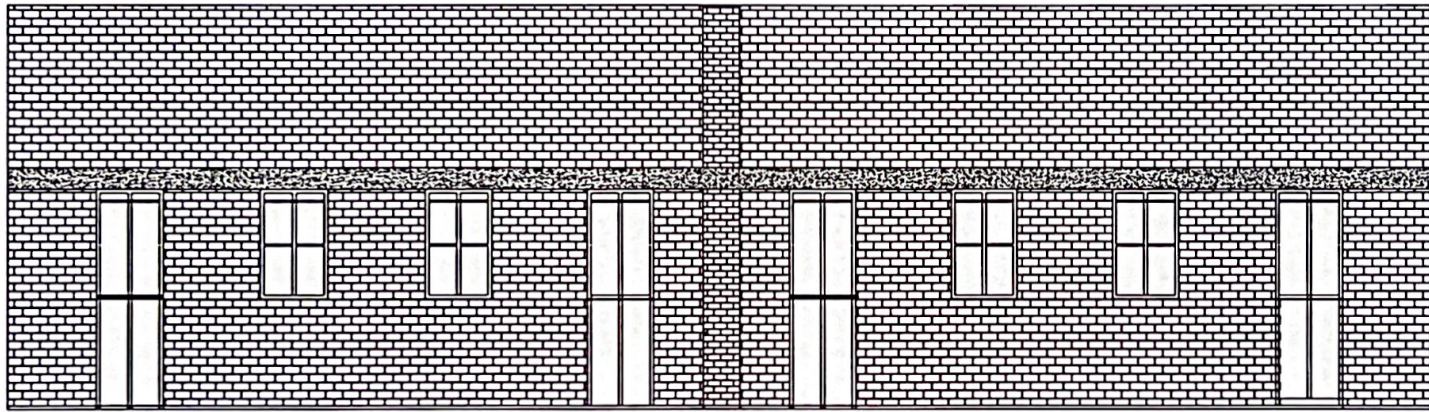
General Notes

No.	Revision/Issue	Date

File Name and Address

Project Name and Address
CRS Zaingui office
WFP-FFA Project
Community center
SIDE VIEW

Project	Sheet
FFA/FLA	6-8
2021-2022	
1:1	



4.00

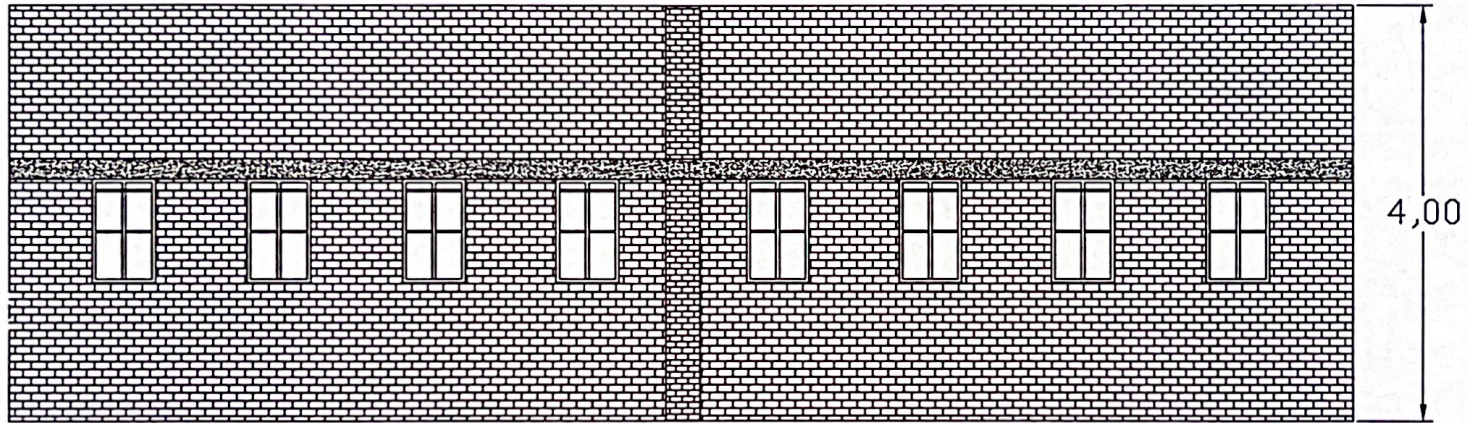
General Notes

No.	Revision/Remark	Date

Site Name and Address

Project Name and Address
CIS Zaingal office
WFP-FTA Project
Community center
FRONT ELEVATION

Project	FTA/FLA	Sheet	7-8
Date	2021-2022		
Scale	1:1		



General Notes

No.	Revision/Issued	Date

See Notes and Address

Project Name and Address
CRS Zolngel office
WFP-FTA Project
Community center
BACK ELEVATION

Project	FFAMFLA	Sheet	8-8
Date	2021-2022		
Scale	1:1		

